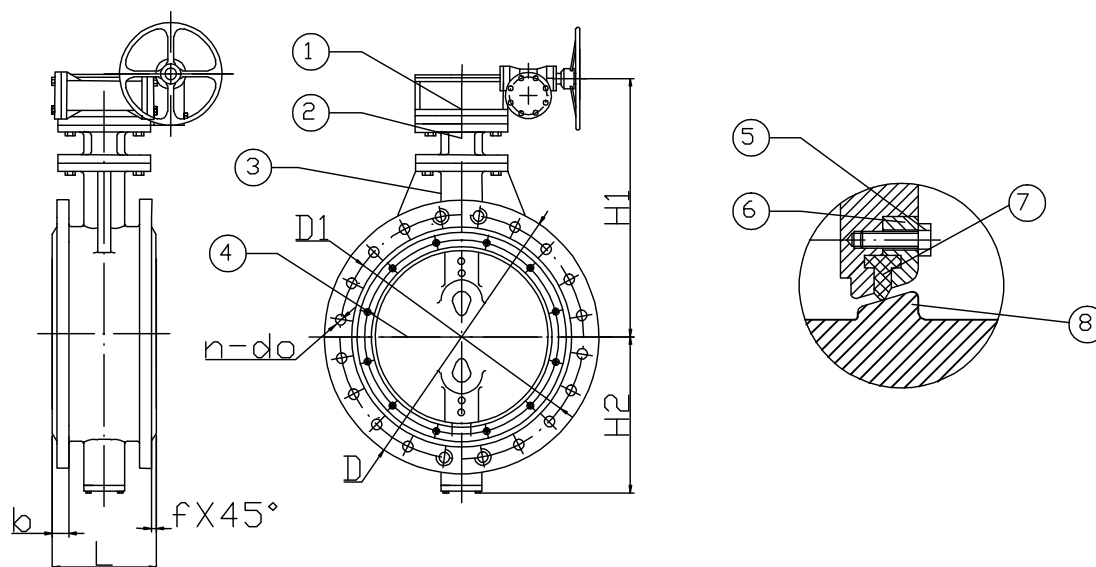


## Double Eccentric Butterfly Valve(DN100-1400)



### Material List

NO.	PARTS NAME	MATERIAL
1	Gear Box	Carbon steel/Stainless steel/Cast Iron
2	Support	Carbon steel/Stainless steel/Cast Iron
3	BODY	Cast iron/Ductile iron/Stainless steel/Carbon steel
4	DISC	Al-Bronze/CF8M/WCB/Ductile iron
5	Bolts	Carbon steel/Stainless steel
6	Retalner	Carbon steel/Stainless steel
7	Rubber seat	EPDM/PTFE/Buna/Hypalon/Viton/Neoprene
8	Seat retainer	Carbon steel/Stainless steel/Cast Iron

### Outline Dimensions & Connection Dimensions(mm) & Weight(Kg)

SIZE	D	D1	b	f	Long Body	H1	H2	L	Weight(Kg)
					n-d <sub>0</sub>			Long Body	Long Body
100	220	180	24	3	8- 18	234	122	190	25
150	285	240	26	3	8- $\phi$ 23	279	153	210	37
200	340	295	30	3	12- $\phi$ 23	349	216	230	63
250	405	355	32	3	12- $\phi$ 27	398	209	250	94
300	460	410	32	4	12- $\phi$ 27	556	277	270	165
350	520	470	36	4	16- $\phi$ 27	586	315	290	241
400	580	525	38	4	16- $\phi$ 30	653	335	310	264
450	640	585	40	4	20- $\phi$ 30	672	380	330	392
500	715	650	42	4	20- $\phi$ 33	793	428	350	524
600	840	770	48	5	20- $\phi$ 36	808	480	390	700
700	910	840	39.5	5	24- $\phi$ 36	1058	681	430	953
800	1025	950	43	5	24- $\phi$ 39	1133	749	470	1075
900	1125	1050	46.5	5	28- $\phi$ 39	1266	842	510	1319
1000	1255	1170	50	5	28- $\phi$ 42	1286	889	550	1751
1200	1485	1390	57	5	32- $\phi$ 48	1568	978	630	3541
1400	1675	1590	62	5	36- $\phi$ 42	1668	1078	710	4280